

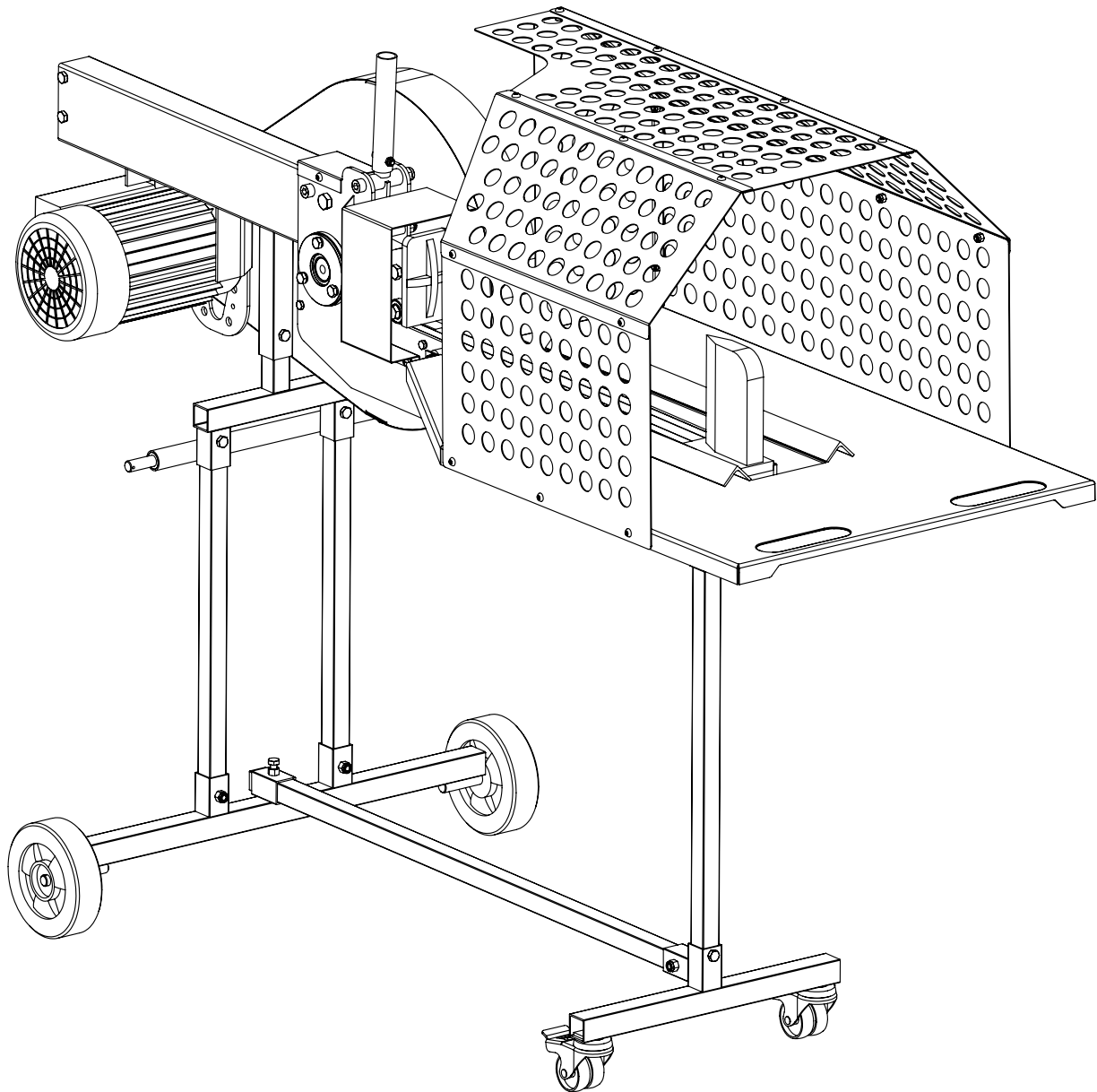
Fast Fire Rapid Log Splitter



WWW.FOREST-MASTER.COM

Model: FMFF (6 & 8 Ton / Electric & Petrol)

en



IMPORTANT: Read this manual fully before assembly and use, and observe all safety rules and operating instructions



Technical Specification	3
Safety	4
Assembly	7
Know Your Log Splitter	18
Operation	19
Maintenance	22
FAQ / Fault Finding	22
Exploded View	23
Parts List	24
Warranty	26

The Forest Master Fast Fire Log Splitter is a kinetic log splitter that produces either 6 or 8 tons of splitting power, capable of splitting both seasoned and unseasoned wood. This is an electric log splitter, but it can also be fitted with either a Forest Master FM139 or a Honda GX35 petrol engine, which will eliminate the need for wires and cables.

The the electric motor or petrol engine powers the kinetic device that ensures an efficient and fast split of wood, including hard knotty wood. Using the latest kinetic technology, the Forest Master log splitter uses the motor to power a single flywheel system that stores energy and then releases it in one quick burst, which maximises efficiency of splitting the log. This dramatically reduces the cycle time of the splitter to 3 seconds, allowing you to split more wood in less time.

The kinetic log splitter is capable of splitting logs up to 520mm in length and 400mm in width. Unlike standard log splitters, this machine has an automatic belt tension system so you don't need to tension the belts. In order to comply with the latest safety regulations, this splitter is operated by both hands simultaneously, one hand to press the push button and the other to operate the control handle. This ensures that your hands are clear of all moving parts during the splitting operation. It is also fitted with a work bench and safety guard.

This log splitter comes with a stand that has wheels at the rear and locking castors at the front, so it can be moved easily around a job site or workshop.

CE APPROVAL Parts

In order to comply with CE Approval regulations within the UK and European Union, the log splitter is supplied with a work bench and safety guard. Outside of these areas the user can choose not to fit the safety guard to the work bench.



Model (Electric)	FM6FFE	FM8FFE
Minimum log diameter	50 mm	50 mm
Maximum log diameter	400 mm	400 mm / 500 mm*
Maximum Log Length	520 mm	520 mm
Motor	230V 50Hz 2200W IP54	230V 50Hz 2200W IP54
Flywheel Weight	15 kg	19.5 kg
Rotational Speed	465 rpm	465 rpm
Splitting Force	6ton	8 ton
Length	1720 mm	1720 mm
Width	710 mm	710 mm
Height	1230 mm	1230 mm
Weight	85 kg	90 kg

Model (Petrol)	FM6FF-HTW / FM6FF-139	FM8FF-HTW / FM8FF-139
Minimum log diameter	50 mm	50 mm
Maximum log diameter	400 mm	400 mm / 500 mm*
Maximum Log Length	520 mm	520 mm
Engine	Honda 35cc 4 Stroke / Forest Master 31cc 4 Stroke	Honda 35cc 4 Stroke / Forest Master 31cc 4 Stroke
Flywheel Weight	15 kg	19.5 kg
Rotational Speed	465 rpm	465 rpm
Splitting Force	6 ton	8 ton
Length	1720 mm	1720 mm
Width	710 mm	710 mm
Height	1230 mm	1230 mm
Weight	80 kg	85 kg

*Outside of the EU & UK, the 8 Ton log splitter can split logs up to 500mm diameter if the user chooses not to fit the safety guard.



UNDERSTAND YOUR LOG SPLITTER: Read and understand the owner's manual and labels affixed to the log splitter. Learn its application and limitations as well as the specific potential hazards peculiar to it.

DRUGS, ALCOHOL AND MEDICATION: Do not operate the log splitter while under the influence of drugs, alcohol, or any medication that could affect your ability to use it properly.

AVOID DANGEROUS CONDITIONS: Use the log splitter on the ground, on the stand supplied or one of the stands available as accessories. Ensure the stand, if used, is securely assembled. Keep your work area clean and well lit. Cluttered areas invite injuries. Do not use the log splitter in wet or damp areas or expose it to rain. Do not use it in areas where fumes from paint, solvents or flammable liquids pose a potential hazard.

INSPECT YOUR LOG SPLITTER: Check your log splitter before turning it on. Keep guards in place and in working order. Form a habit of checking to see that keys and adjusting wrenches are removed from tool area before turning it on. Replace damaged, missing or failed parts before using it.

DRESS PROPERLY: Do not wear loose clothing, gloves, neckties or jewellery (rings, wrist watches). They can be caught in moving parts. Protective electrically non conductive gloves and non-skid footwear are recommended when working. Wear protective hair covering to contain long hair, preventing it from getting caught in machinery.

PROTECT YOUR EYES AND FACE: Any log splitter may throw foreign objects into the eyes. This can cause permanent eye damage. Always wear safety goggles. Everyday eyeglasses have only impact resistant lenses. They are not safety glasses. Stand behind and to the right of the machine when operating it. Do not bend over the machine to operate it, this is an awkward operating position that has the operator bring their face close to the machine, and thus risk being struck by wood chips or debris.

EXTENSION CORDS: Improper use of extension cords may cause inefficient operation of the log splitter which can result in overheating. Be sure the extension cord is no longer than 10m and its cross section is no less than 2.5mm² to allow sufficient current flow to the motor. Avoid use of free and inadequately insulated connections. Connections must be made with protected material suitable for outdoor use.

AVOID ELECTRICAL SHOCK: Check that the electric circuit is adequately protected and that it corresponds with the power, voltage and frequency of the motor. Check that there is a ground connection, and a regulation differential switch upstream. Ground the log splitter. Prevent body contact with grounded surfaces: pipes, radiators, ranges, and refrigerator enclosures. Never open the push button box on the motor without first unplugging the machine from the mains. Make sure your fingers do not touch the plug's metal prongs when plugging or unplugging the log splitter.

AVOID BURNS: Avoid contact with hot oil, exhaust fumes and hot surfaces. Do not touch the engine or exhaust, these parts get extremely hot from operation and remain hot for a time after the unit is turned off. Allow the engine to cool before doing maintenance or adjustment.

PETROL ENGINE: DO NOT operate the log splitter in an enclosed area. The exhaust fumes contain carbon monoxide an odourless and deadly gas. Operate this unit only in a well ventilated area. Always stop the engine before moving the machine. Do not alter or adjust any part of the machine or engine that is sealed by the manufacturer or distributor. Always check before use, as specified in the manufacturers handbook.

Symbol on the machine





Do not change the engine governor settings or over-speed the engine. The governor controls the maximum safe operating speed of the engine.
Do not run the engine at a high speed when you are not working.

Symbol on the machine

KEEP VISITORS AND CHILDREN AWAY: The log splitter must be always operated by one person only. Other people should keep a safe distance from the work area, especially when the log splitter is under operations. Never use another person to help you with freeing jammed logs.



INSPECT YOUR LOG: Make sure there are no nails or foreign objects in logs to be split. The ends of the logs must be cut square. Branches must be cut off flush with the trunk.

DON'T OVERREACH: Floor must not be slippery.
Keep proper footing and balance at all times. Never stand on log splitter. Serious injury could occur if the tool is tipped or if the cutting tools is unintentionally contacted. Do not store anything above or near the log splitter where anyone might stand on the tool to reach them.

AVOID INJURY FROM UNEXPECTED ACCIDENT: Always pay full attention to the movement of the log pusher.
Do not attempt to load the log on until the log pusher has stopped. Keep hands out of the way of all moving parts.



PROTECT YOUR HANDS: Keep you hands away from splits and cracks which open in the log; They may close suddenly and crush or amputate your hands.
Do not remove jammed logs with your hands.



DON'T FORCE THE TOOL: It will do a better and safer job at its design rate. Never try to split logs larger than those indicated in the specifications table. This could be dangerous and may damage the machine.
Don't use log splitter for a purpose for which it was not intended.

NEVER LEAVE THE TOOL RUNNING UNATTENDED: Don't leave tool until it has come to a complete stop.

DISCONNECT POWER: Unplug the electric motor or remove the plug cap from the spark plug before making adjustments, changing parts, cleaning, or maintaining the log splitter. Consult technical manual before servicing.



PROTECT THE ENVIRONMENT: Take used oil to an authorized collection point or follow the stipulations in the country where the log splitter is used. Do not discharge into drains, soil or water.



MAINTAIN YOUR LOG SPLITTER WITH CARE: Keep the log splitter clean for best and safest performance.

MAKE THE WORKSHOP CHILDPROOF: Lock the shop. Disconnect master switches. Store the log splitter away from children and others not qualified to use it.

NEVER attempt to place a hand or hands in the guard when the log splitter is operation.

NEVER attempt to place logs in the guard or remove them from within the guard when the log splitter is in operation.

NEVER allow a second person to assist in placing logs in or removing logs from within the guard whether the log splitter is in operation or not.



Before using the log splitter, check all bolts securing the panels of the guard together, the bolts that secure the cage to the work bench and the bolts that secure the work bench to the log splitter to ensure they are secure.

DO NOT place fingers or other objects through the holes in the top and angled panels, these holes are only to allow you to view the log.

DO NOT attempt to split a log greater than the specified maximum log diameter as this may result in damage to the guard.

DO NOT attempt to load logs onto the log splitter through the front (fixed blade) opening.

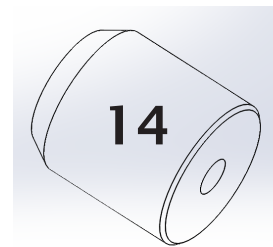
ALWAYS load logs through the right hand rear opening.

DO NOT leave split logs lying inside the guard when splitting a subsequent log as these may be forced against the cage and damage it.

The warnings, cautions and instructions referred to in this manual cannot cover all possible conditions and situations that may occur. It must be understood that common sense and caution must be applied by the operator when using the log splitter.



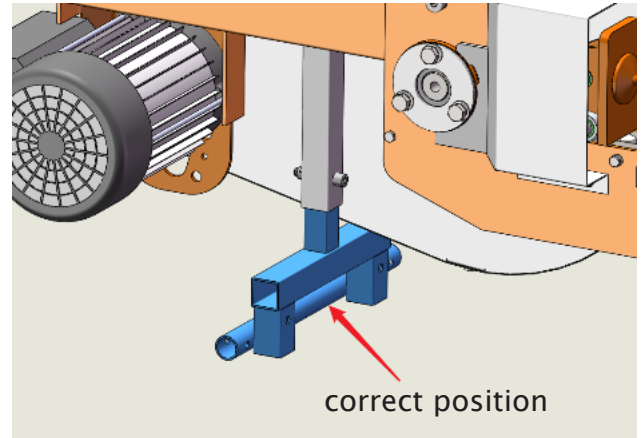
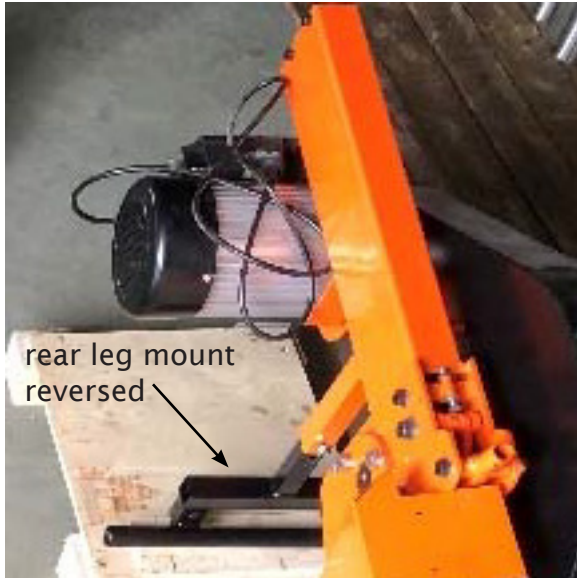
Number	Part	QTY
1	Log Splitter	1
2	Front Castors	2
3	Rear Wheels	2
4	Stand Long Brace	1
5	Stand Rear Axle	1
6	Stand Front Foot	1
7	Stand Front Leg	1
8	Stand Rear Legs	2
9	Safety Cage Sides	6
10	Safety Cage Bench	1
11	Operating Handle	1
12	Long Stub Axle	1
13	Short Stub Axle	1
14	Bench Mounts	4



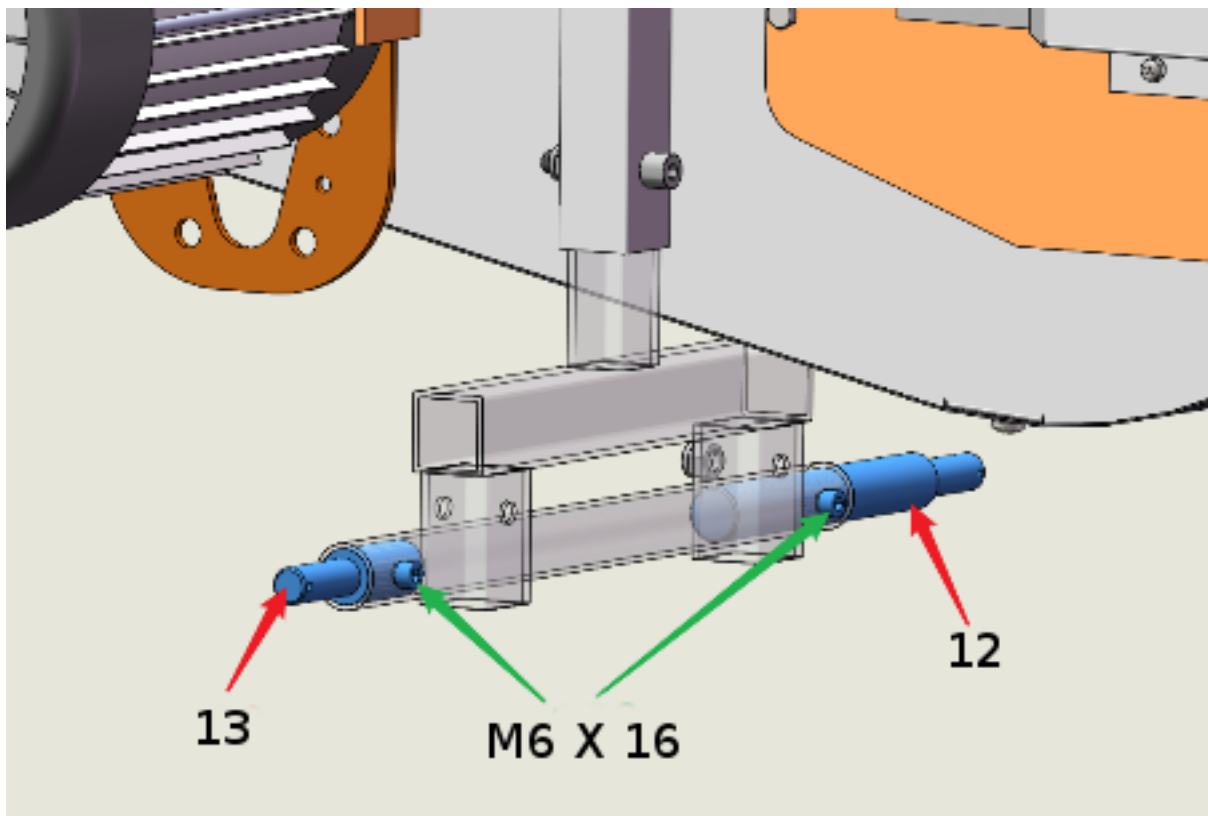


Note that due to the weight of the item, assembly requires two persons

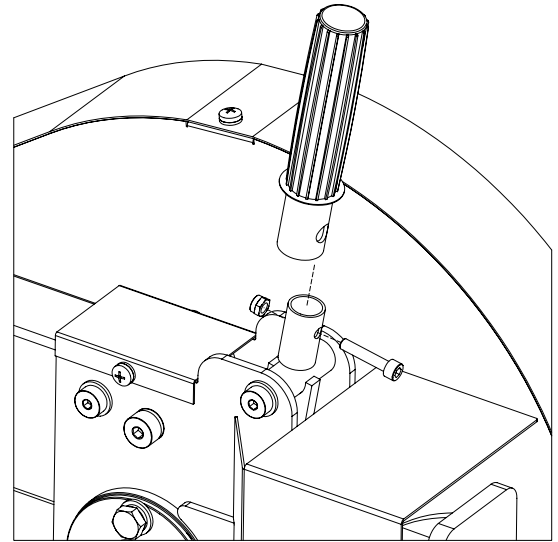
For shipping the rear leg mount is fitted in a reversed position. Before use, remove the bolt securing this, turn the mount through 180 degrees and secure with the bolt.



Insert the stub axles, parts 12 and 13 into the tube on the back of the rear leg mount. When looking from the back of the machine, the short axle part 13 is inserted into the right hand side and the long axle to the left. Secure the axles with the 2 M6 x 16 cap head bolts and 2 M6 nuts that are fitted in the axles for shipping.



Attach the operating lever handle (part 11) to rack engaging lever on the log splitter. The bolt and nut for securing the handle have been fitted to it for shipping.



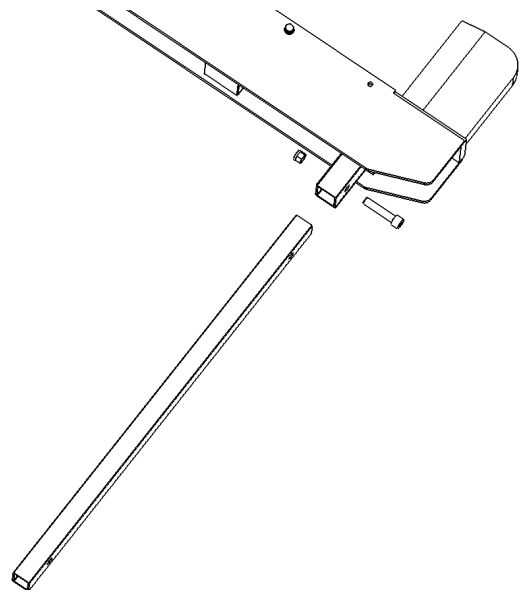
Stand Assembly

As has already been stated, because of the weight of the splitter, it will require two persons to attach it to the stand

The bolts and nuts necessary to attach all the stand components have been fitted to the components for shipping.

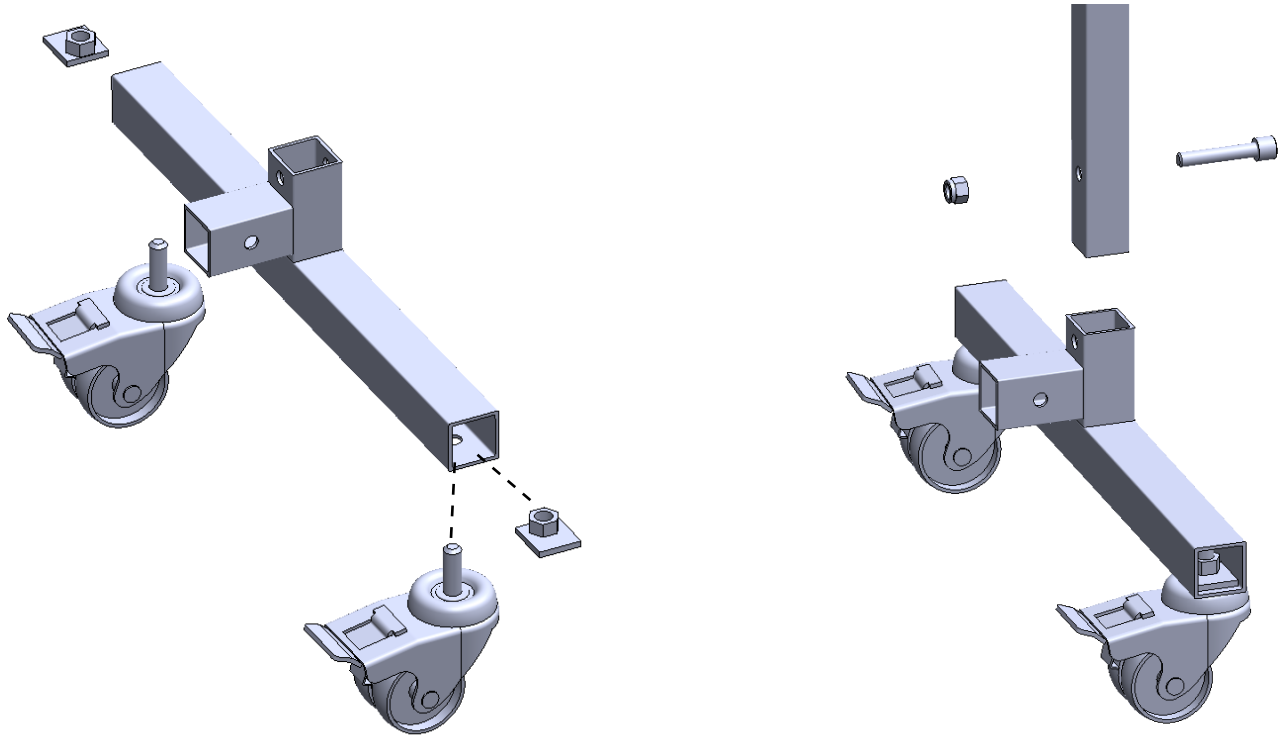
The easiest way to attach the stand is either on it's side with the flywheel on the ground or stood vertically against a wall with the motor at the bottom. If standing it vertical you must secure it so it can't fall over.

Remove the bolts and nuts from the front leg. Attach the front leg to the mounting socket at the front of the log splitter and secure with one of the bolts and nuts just removed.



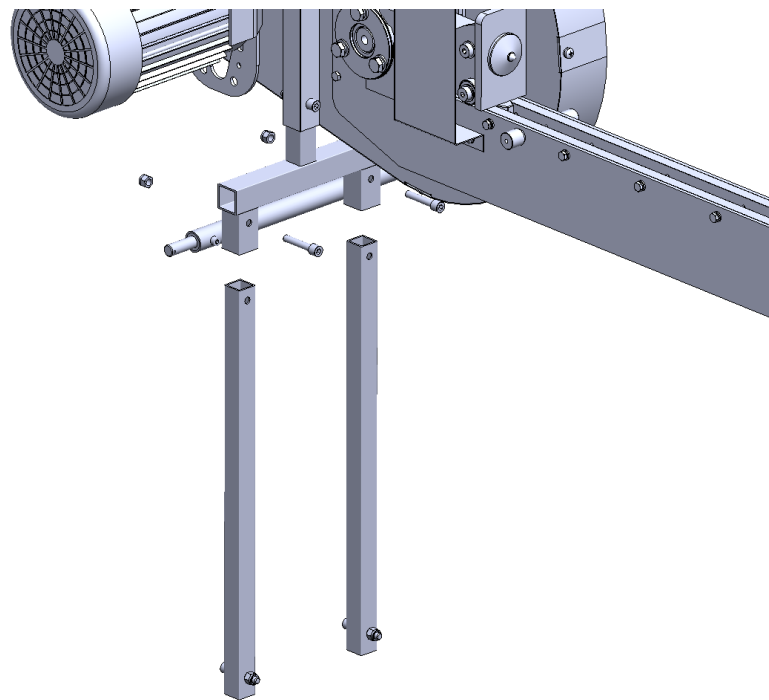


Fasten the castors (part 2) to the front foot (part 6). Use the plate nuts that are fitted to the castors for shipping. The nut on the plate nut is offset to one end of the plate to make it easier to locate the nut over the hole in the front foot. Then attach the assembled foot to the bottom of the front leg using the remaining bolts and nut that were removed from the front leg.



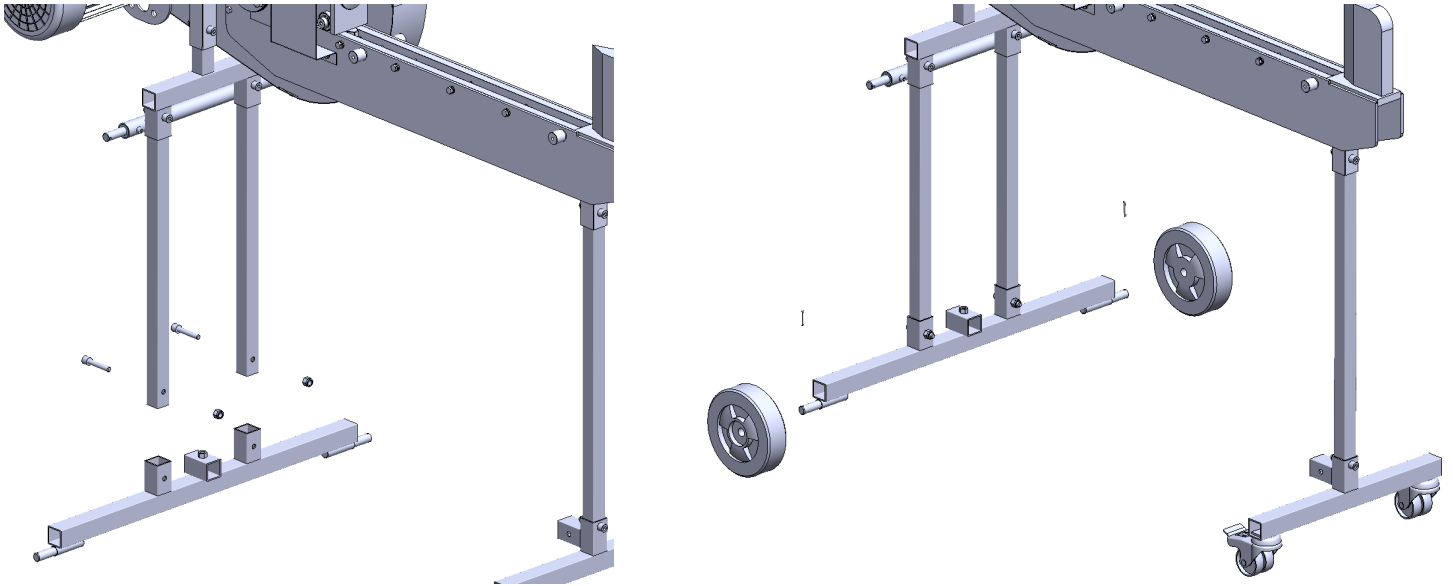
Fit the rear legs (part 8) to the rear leg mount. Note that the bolt holes in the rear legs are not symmetrical top to bottom. One hole is 15mm from the end the other is 25mm from the end.

Remove the bolt and nut from the hole that is 15mm from the end and fit this end into the socket on the rear leg mount then secure with the bolt and nut.



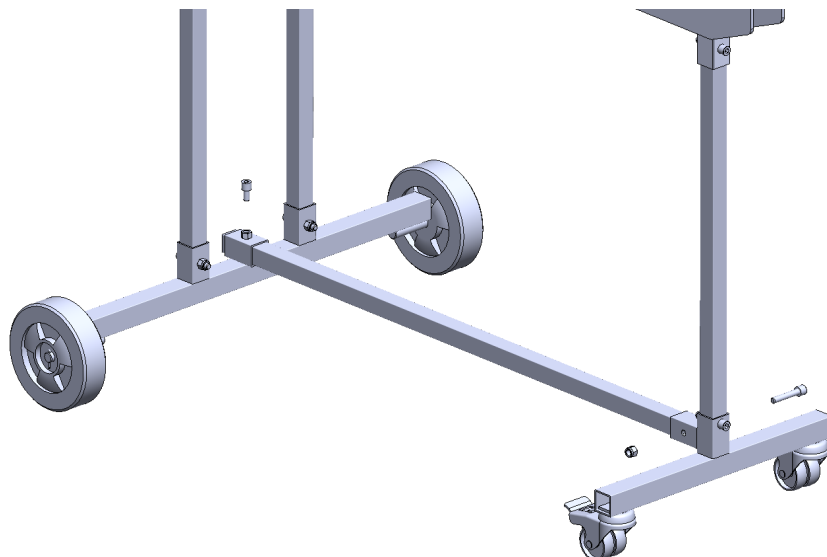
Remove the bolts and nuts from the bottom of the rear legs. Attach the Stand Rear Axle (part 5) to the bottom of the rear legs using the bolts and nuts.

Attach the rear wheels (part 3) to the axles using the split pins provided. These go through the holes in the end of the axles.



Remove the bolt and nut from the Stand Long Brace (part 4) and the bolt from the nut on the locating tube in the centre of the rear axle.

Insert the Long Brace through the guide tube in the rear axle and into the socket on the rear of the front castor assembly, so that the holes in the front of the Long Brace line up with the holes in the socket on the castor assembly. Insert the bolt through the castor assembly socket and secure with the nut. Secure the Long Brace to the rear axle guide tube using the bolt. Note there is no hole in the Long Brace for this bolt, it simply tightens up against the Long Brace.





You should now lift the log splitter into the upright position. This must be done by two persons to avoid the possibility of injury or damage to the log splitter. Check that all nuts and bolts are tight before lifting the splitter upright.

ATTACH THE WORK BENCH AND GUARD

The work bench and guard are only necessary to comply with CE Approval and health and safety at work legislation in the European Union. Outside of the European Union the individual user can choose to just use the work bench.

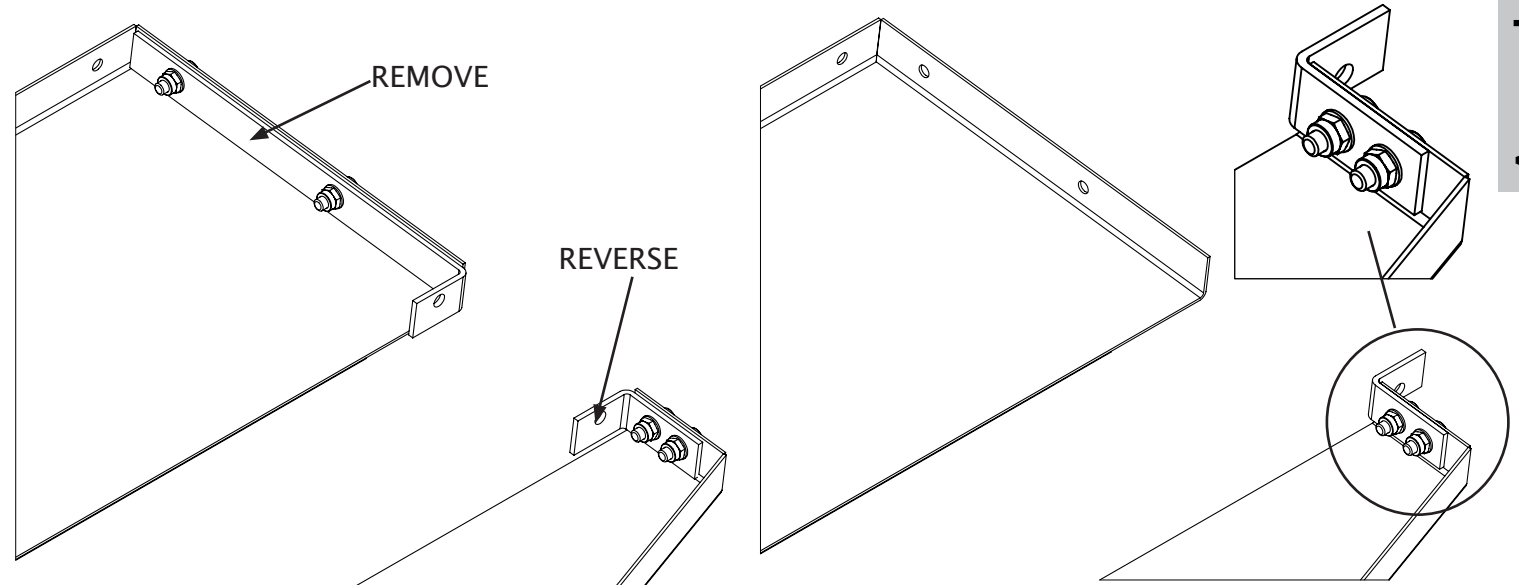
Although the work bench is the best way to support the logs, for customers outside of the EU, a set of basic log rails can be purchased to be used in place of the work bench. These are available on our website <https://forest-master.com/product/log-guide-rail-for-all-fm8-fm5-log-splitters/>.

The work bench & guard package contains

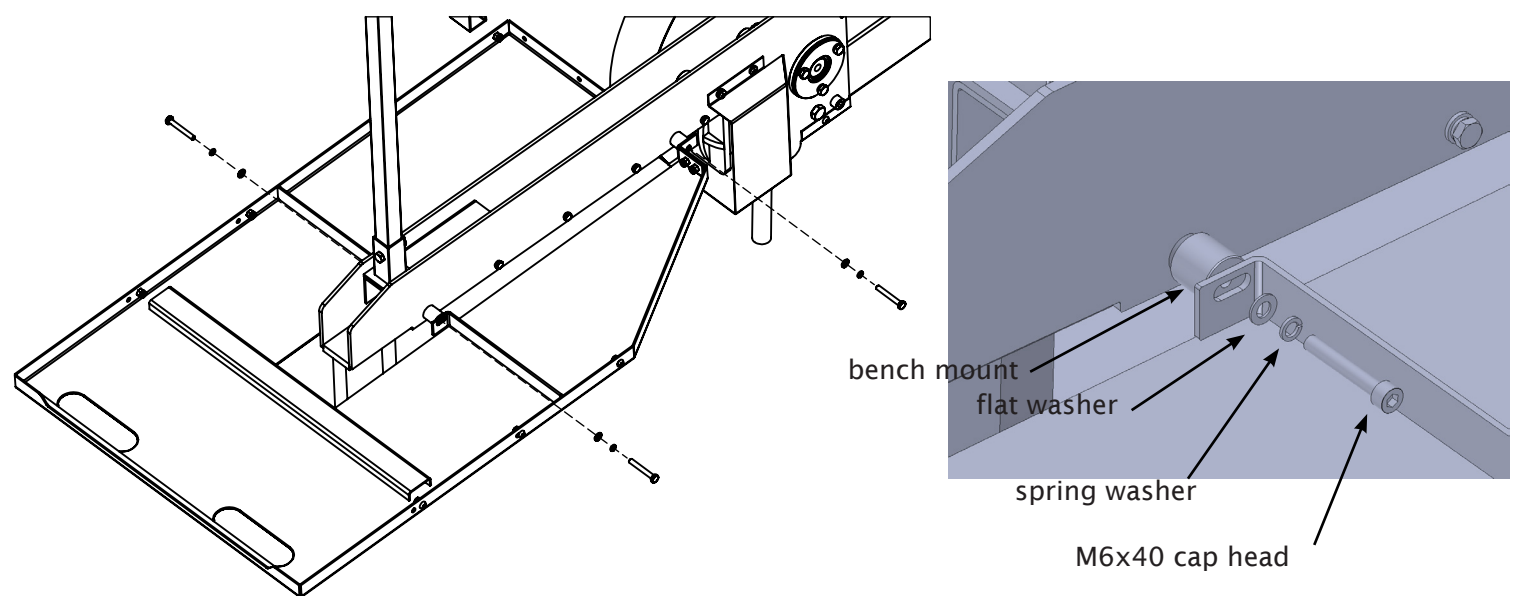
- 1 x Work Bench (with rear brackets attached)
- 6 x Guard panels
- 25 x M6x12 Button Head Bolts (1 spare)
- 5 x M6x40 Cap Head Bolts (1 spare)
- 25 x M6 nyloc Nut (1 spare)
- 5 x M6 Spring Washers (1 spare)
- 53 x M6 Flat Washers (1 spare)

Attaching The Work Bench

For shipping, the rear mounting brackets are fastened to the faces to which they attach, in a reversed position. Before assembly, remove the long mounting bracket (it will be re-attached later) and remove then reverse the short rear bracket. Note that it must still be fixed to the inner face of the rear side.



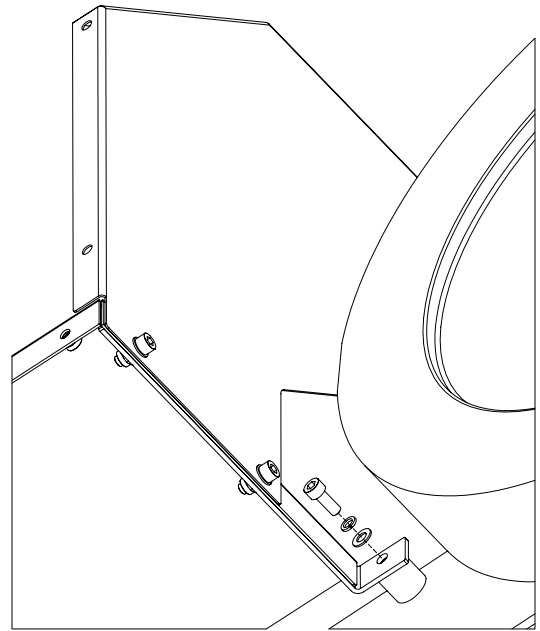
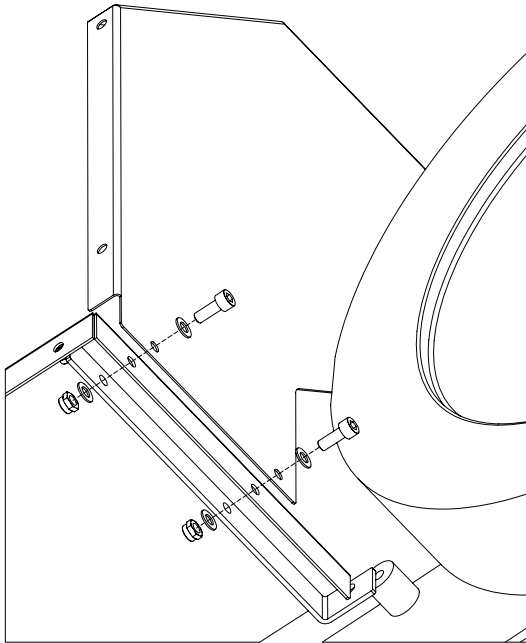
Attach the work bench to the log rail mounting points using the Bench Mounts (part 14), M6x40 cap head bolts, M6 spring washers, M6 flat washers. There are 4 mounting points but note that one of the rear mounting points is for the long rear bracket, which is attached in the next step. Do not fully tighten the bolts until after the next step. The bench mounts are placed between the body and the mounting brackets with the tapered end of the mount towards the body.





The following steps for fitting the safety guard are only necessary in the EU. Outside of the EU you can go straight to page 18.

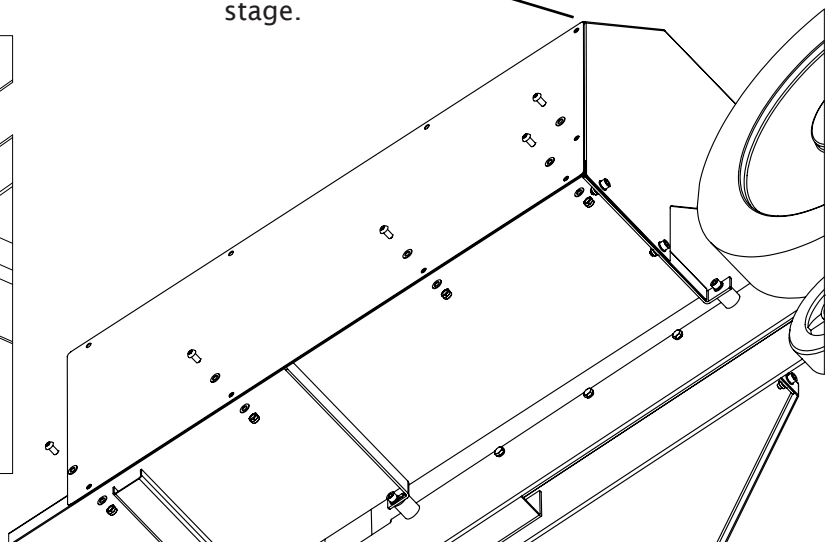
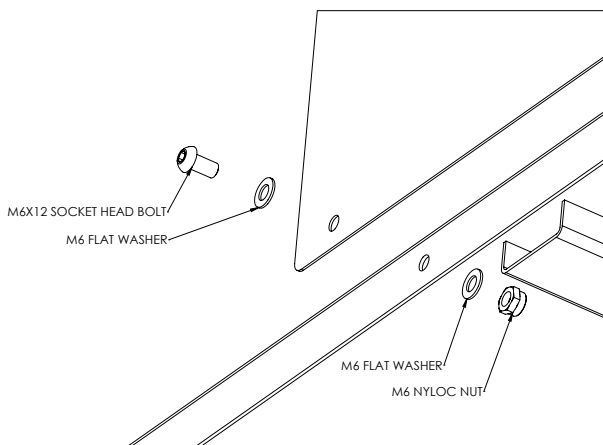
Fit the long rear mounting bracket to the inside face of the long rear edge of the tray and the rear cage panel to the outside face, using 2 M6x16 cap head bolts, 4 M6 flat washers and 2 M6 nyloc nuts. Then attach the rear bracket to the mounting point on the splitter using an M6x16 cap head bolt, M6 spring washer and M6 flat washer.



Attach the longer of the two plain cage panels to the left side of the tray and the rear cage panel. The bottom rear corner has two closely spaced holes, the top rear corner has a single hole approximately 10mm from the rear edge.

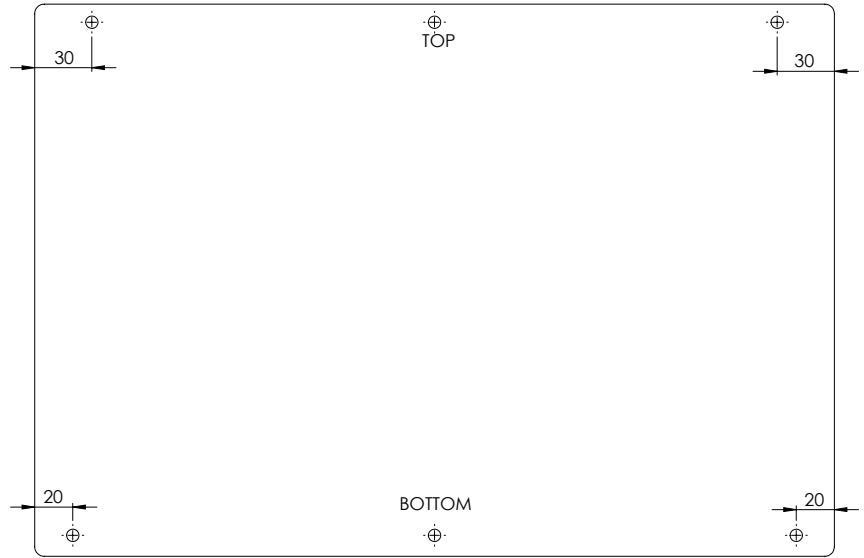
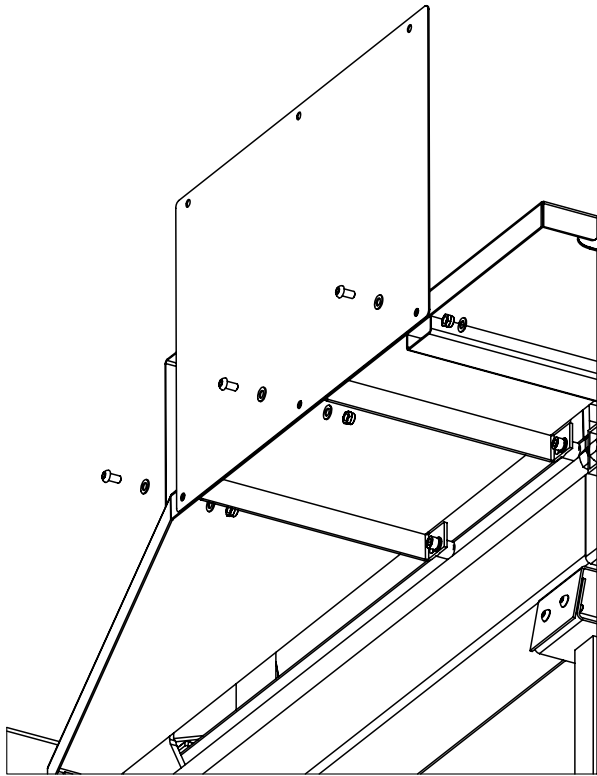
Use 5 M6x12 button head bolts, 10 M6 flat washers (1 under each bolt head and 1 under each nut) and 5 M6 nyloc nuts.

Do not add a nut and bolt at this stage.



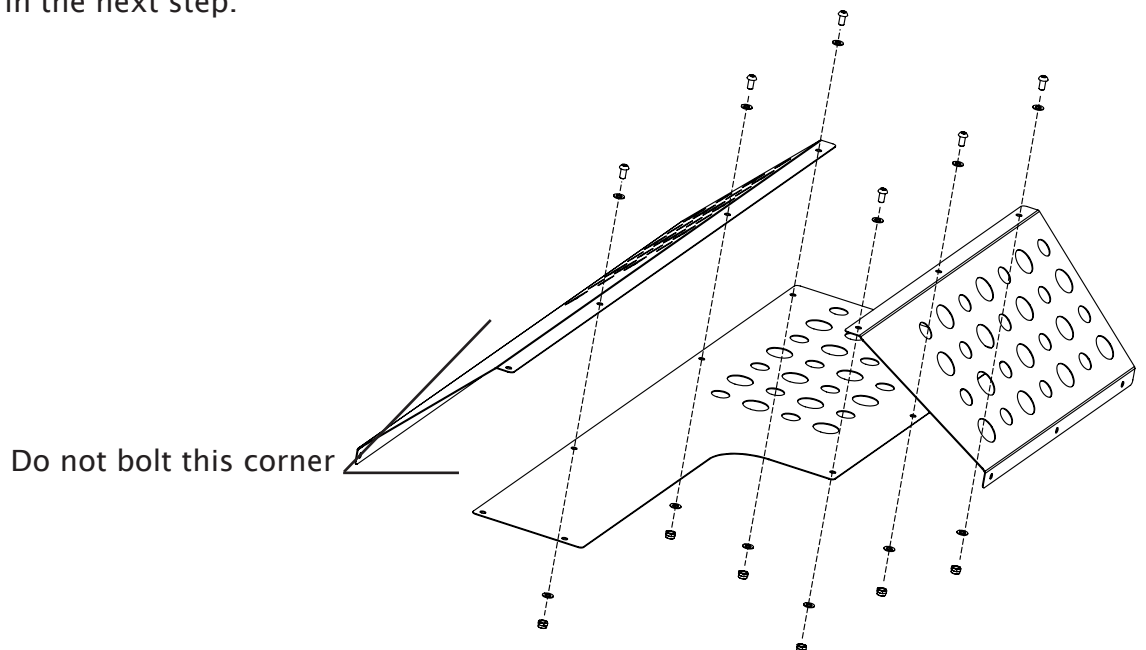
Attach the shorter of the two plain guard panels to the right side of the work bench. For the orientation of the panel see the diagram below.

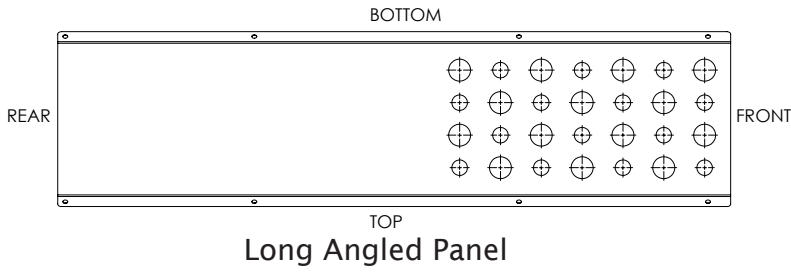
Use 3 M6x12 button head bolts, 6 M6 flat washers (1 under each bolt head and 1 under each nut) and 3 M6 nyloc nuts.



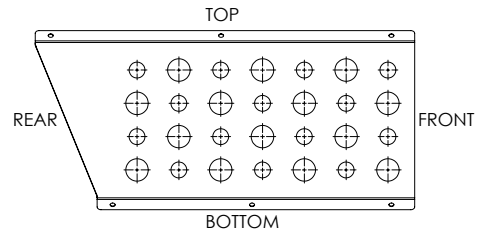
Attach the two flanged panels to the flat top panel, note that the flanges on the angled panels go on top of the top panel. Use M6x12 button head bolts, M6 flat washers either side and M6 nyloc nuts.

Do not join the longer angled panel to the top panel at its rear corner at this stage. This corner is secured to the back panel in the next step.

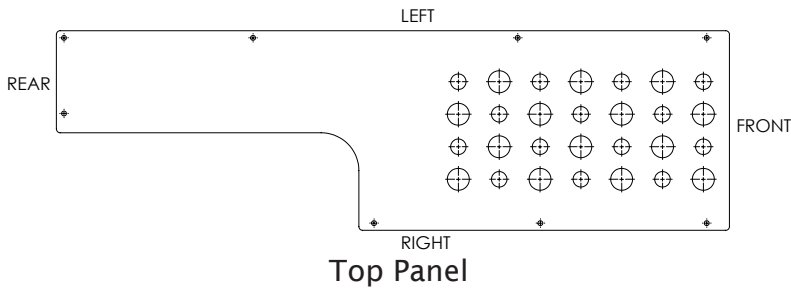




Long Angled Panel



Short Angled Panel

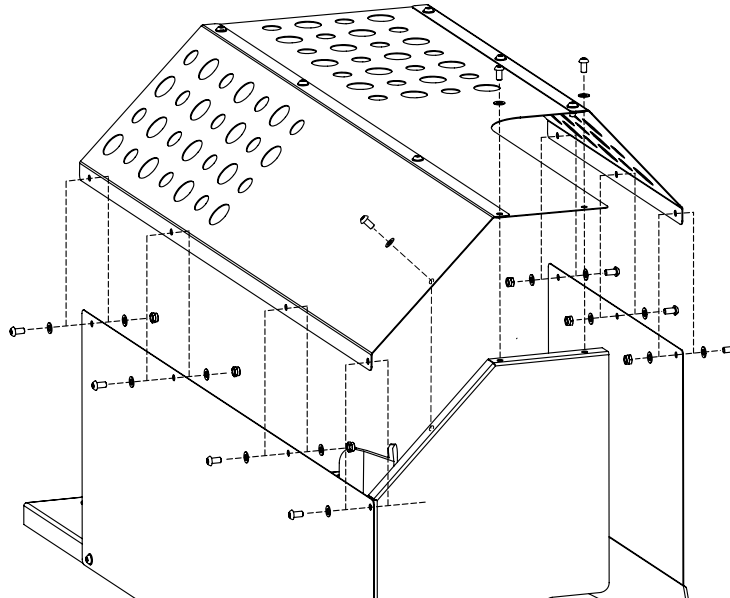


Top Panel

Fasten the assembled top section to the side panels and the rear panel using 10 M6x12 button head bolts, 20 M6 flat washers one either side of the panels for each bolt and an 10 M6 nyloc nut.

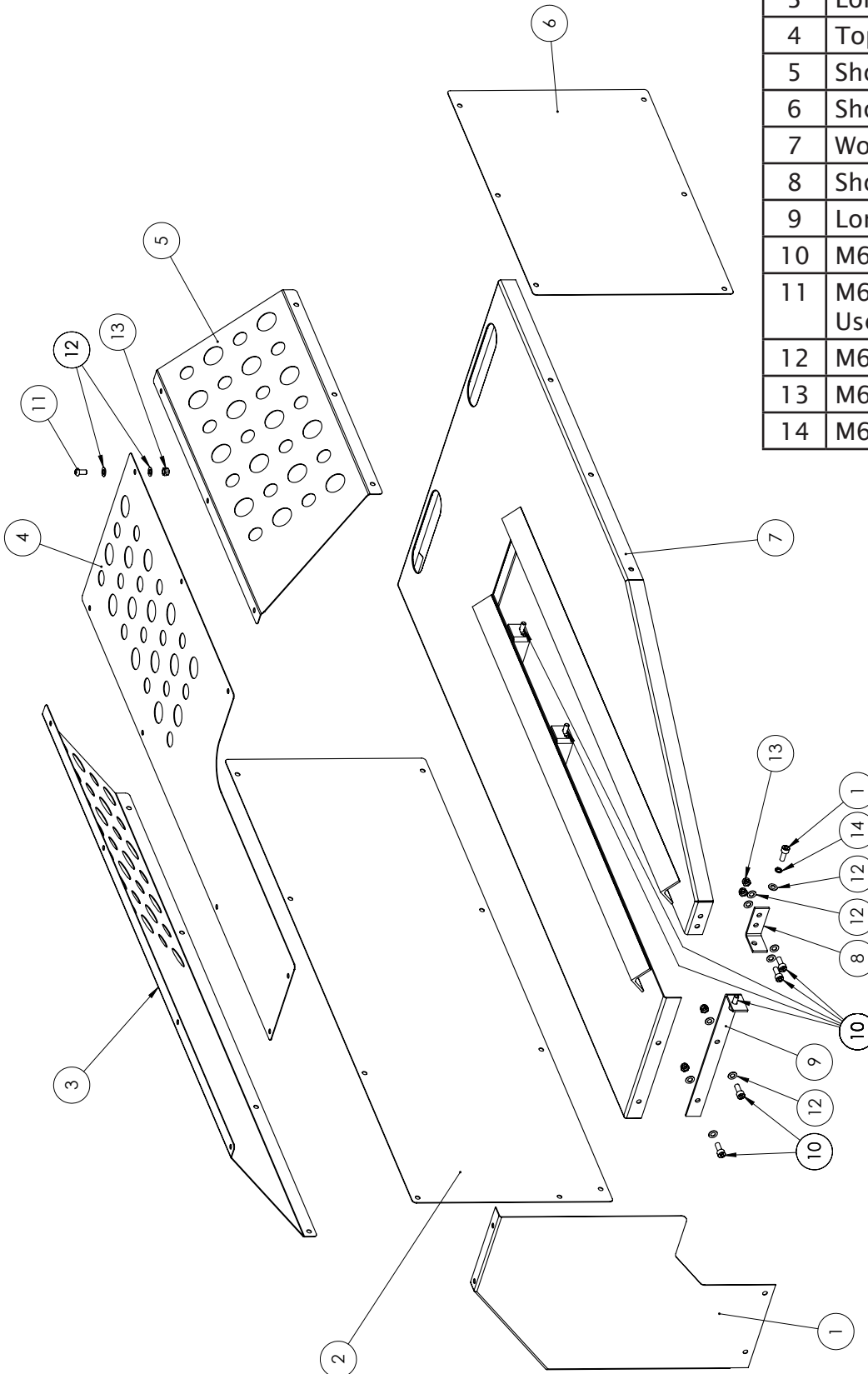
Note that the flanges of the angled panels go outside of the plain side panels.

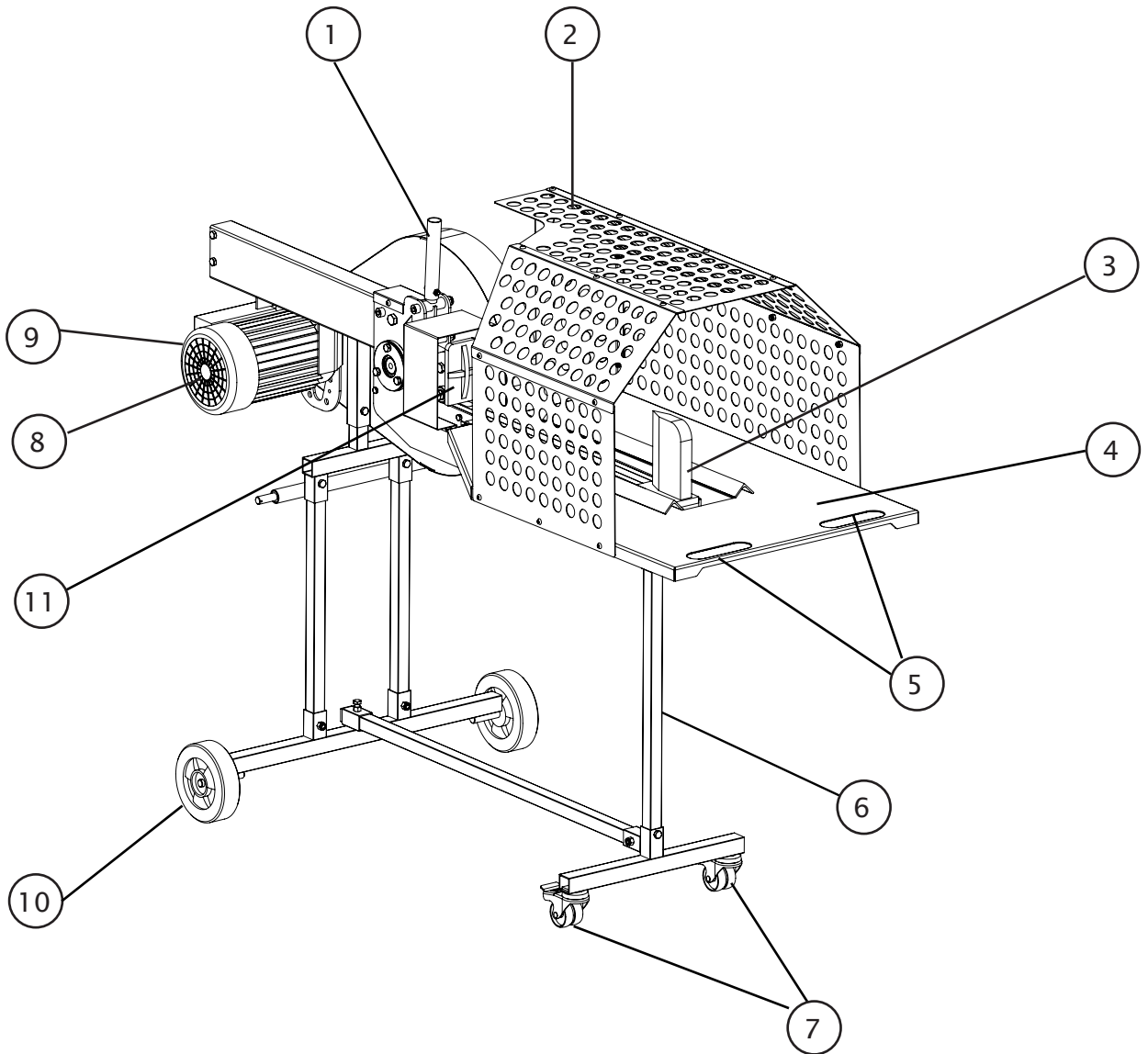
You should now fully tighten all nuts and bolts for the guard and tray.





No.	Description	QTY
1	Rear Guard Panel	1
2	Long Plain Panel	1
3	Long Angled Panel	1
4	Top Panel	1
5	Short Angled Panel	1
6	Short Plain Panel	1
7	Work Bench	1
8	Short Rear Bracket	1
9	Long Rear Bracket	1
10	M6x16 Cap Head Bolts	8
11	M6x12 Button Head Bolt Used for all cage bolts	24
12	M6 Flat Washer	60
13	M6 Nyloc Nut	28
14	M6 Spring Washer	4





- 1 Ram Engaging Lever
- 2 Safety Guard
- 3 Wedge
- 4 Work Bench
- 5 Hand Holds
- 6 Stand (TW model only)
- 7 Locking Castors (minor moving only)
- 8 Motor / Engine
- 9 Start Button / Pull Start
- 10 Wheels (minor moving only)
- 11 Pusher

OPERATING CONDITIONS

This log splitter is a home use model. It is designed for operating under ambient temperatures between +5°C and 40°C and for installation at altitudes no more than 1000m above M.S.L. The surrounding humidity should be less than 50% at 40°C. It can be stored or transported under ambient temperatures between -25°C and 55°C.

ELECTRICAL REQUIREMENTS

Connect the main leads to a standard 230V±10% (50Hz±1Hz) electrical supply which has protection devices of under-voltage, over-voltage and over-current as well as a residual current device (RCD) which is maximum residual current rated at 0.03A.

This equipment is fitted with a UK 3 pin mains electricity plug and is supplied with a 2 pin adapter for use where necessary. DO NOT remove the 3 pin mains electricity plug and fit a 2 pin mains electricity plug.

TWO HANDED CONTROL

This log splitter is equipped with a control system that requires operation by both hands of the user. One hand controls the lever that engages the ram, while the other hand controls the push button starter switch (electric) or the throttle control (petrol).

Never move the lever before pressing the button or the throttle.

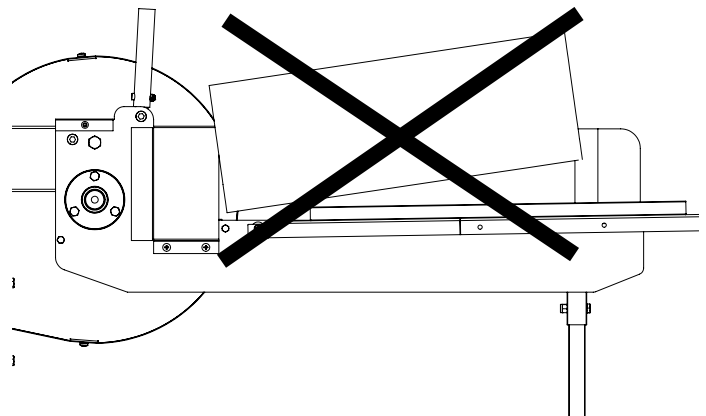
PETROL ENGINE

The petrol engine is supplied without fuel and oil. Before use, fill the engine with fuel and oil as specified in the engine manufacturers handbook, included separately.

Start the engine following the procedure given in the engine manufacturers handbook.

POSITIONING THE LOG

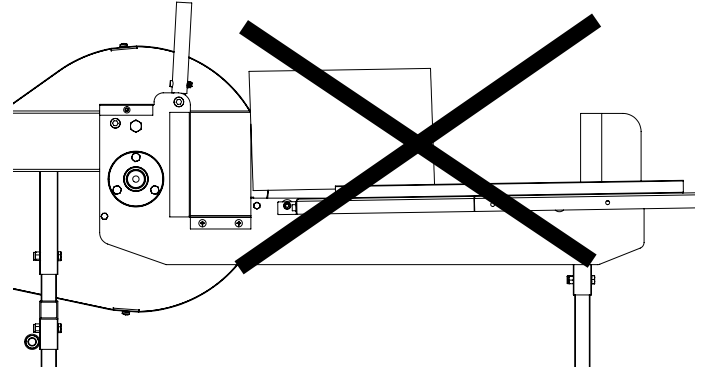
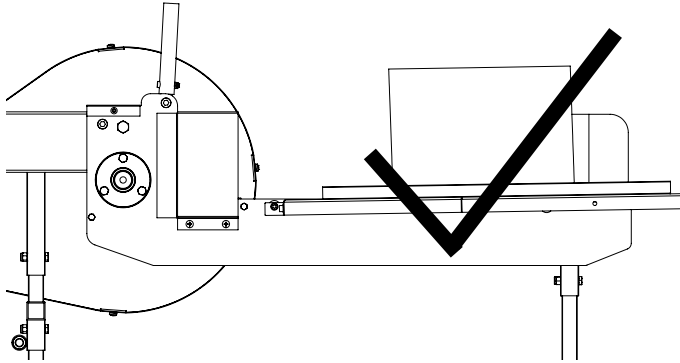
Always set logs firmly on the log retaining plates and work table. Make sure logs will not twist, rock or slip while being split. Do not force the blade by splitting the log on the upper part. This will break the blade or damage the machine.



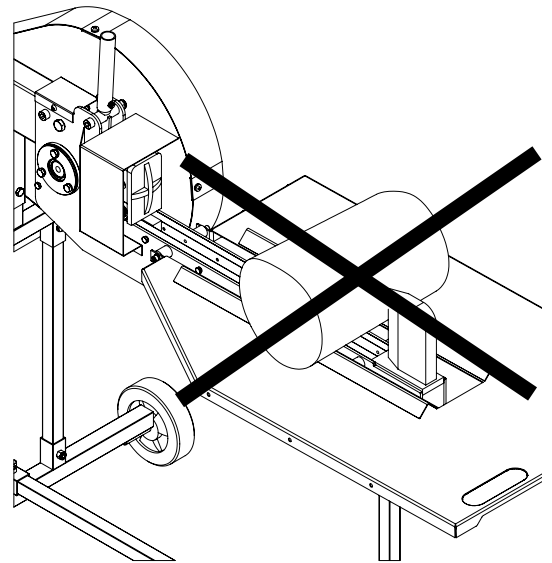
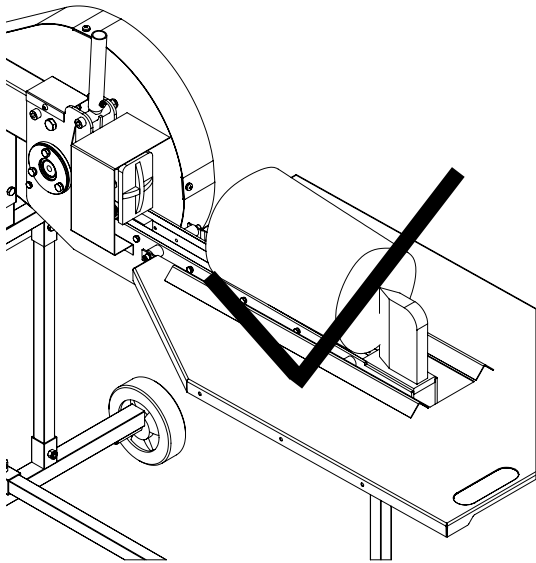


Place the log hard against the splitting wedge. DO NOT place the log against the ram

Operation



Split the log in the direction of its growing grain. Do not place the log across the log splitter for splitting. It may be dangerous and may seriously damage the machine. Do not attempt to split 2 pieces of log at the same time. One of them may fly up and hit you.



IMPORTANT: Do not place the log against the ram. Do not attempt to split a log across the grain.



SPLITTING A LOG

Stand towards the rear of the log splitter, on the opposite side to the flywheel.

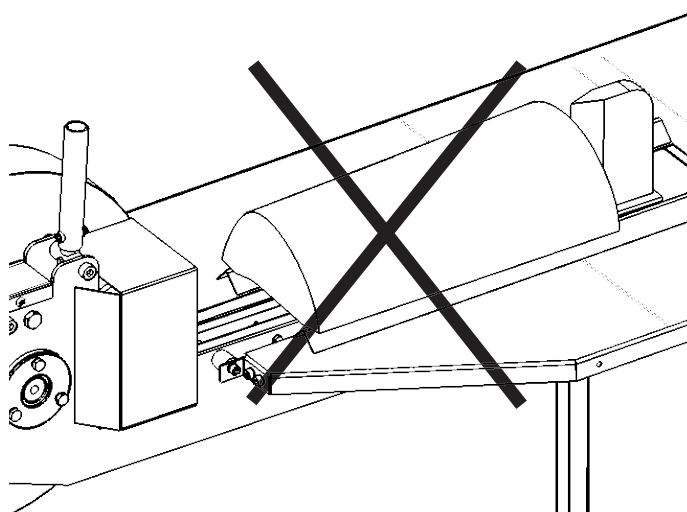
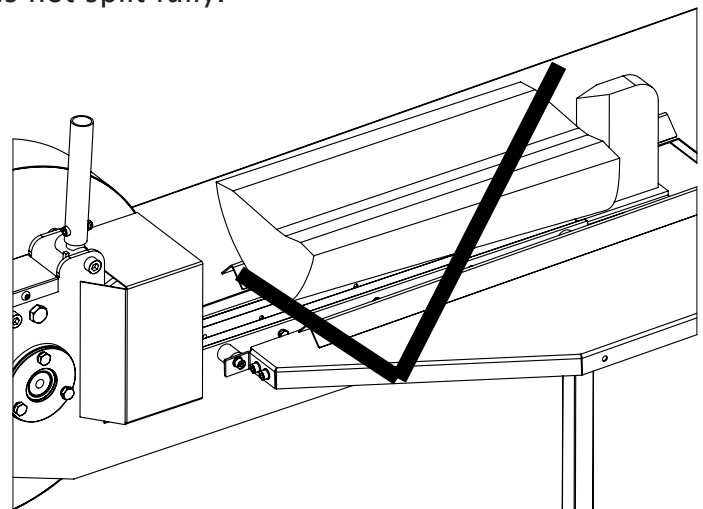
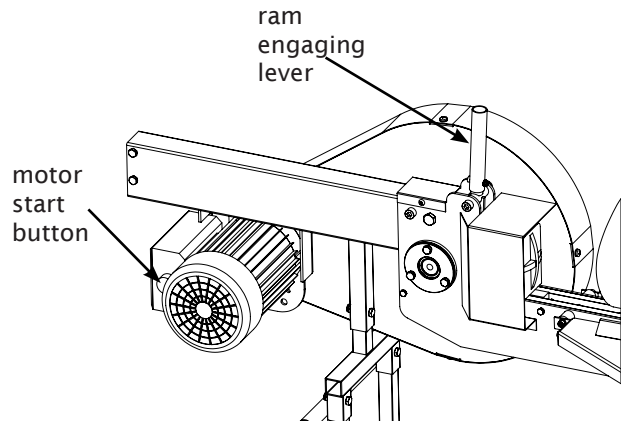
To split a log with the electric version, press and hold the button to start the motor. Once the flywheel has spun up, push the ram engaging lever fully forward. Once the ram hits the log, pull the lever back and release the motor button and the ram will return.

Note that for soft wood the flywheel does not have to be spun up to full power.

If the log does not split fully through, **DO NOT** keep the power on and the lever engaged. Release them and have a second go.

To split a log with the petrol version, start the engine then press the throttle trigger to rev the engine up. Once the flywheel has spun up, push the ram engaging lever fully forward. Once the ram hits the log, pull the lever back and release the motor button and the ram will return. As with the electric model, do not hold the throttle and lever on if it does not split fully.

If splitting a log that has already been split, always place the log so that the split face is uppermost and the bark covered outer face of the log is against the bed of the log splitter.



NEVER place a split log with the split face or faces against the bed of the log splitter, as this can cause the log to jam against the log guides as it splits, thereby bending and possibly breaking the log guides and possibly the body of the log splitter.



WARNING: Never place the split face or faces of a log against the bed of the log splitter.
IMPORTANT: DO NOT hold the power on and lever engaged if the log does not fully split.



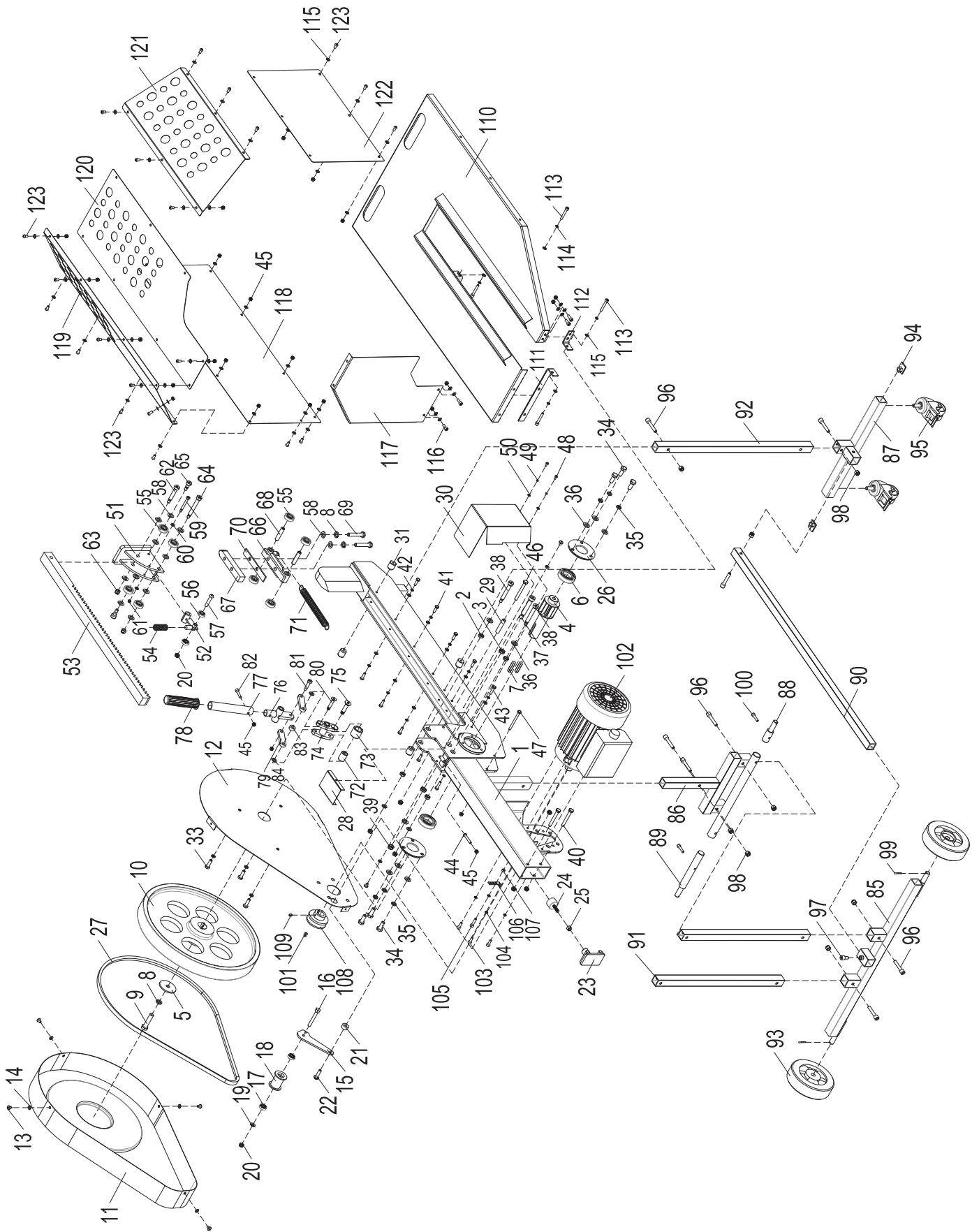
PETROL ENGINE

For maintenance and trouble shooting of the petrol engine, see the manufacturer’s handbook included separately.

STORAGE

This machine should be dried before storing and must be stored in an enclosed dry environment. If it is left in a damp humid environment then water damage may occur to the motor. It should not be stored under a wood store.

PROBLEM	PROBABLE CAUSE	REMEDY
Fails to split logs	Log is improperly positioned	Refer to “Operation” section for correct log loading.
	The sizes or hardness of the log exceeds the capacity of the machine	Reduce the log sizes before splitting it on the log splitter
Electric motor will not start	Power cord is not plugged in	Plug in to power source
	Fuse or circuit tripped	Replace fuse or reset breaker
	Damaged power cord	Contact Technical Support
	Motor hums but does not start, faulty capacitor	Replace capacitor
Ram will not retract or retracts slowly	Debris in the rack system	Clean / lube rack system periodically
	Return spring is damaged or worn	Inspect / replace return spring
Drive belt noise during start up or splitting operation	Drive belt is worn	Replace drive belt





No.	Description	QTV.
1	Body	1
2	Bushing $\Phi 10$	4
3	Bushing $\Phi 12$	2
4	Gear Shaft	1
5	Big Washer	1
6	Bearings NUP1006	2
7	Keys	2
8	Spring Washers $\Phi 12$	3
9	Reverse thread Bolts M12	1
10	Flywheel	1
11	Flywheel Cage	1
12	Flywheel Back Plate	1
13	Screws M6	6
14	Flat Washers $\Phi 6$	16
15	Tension Roller Arm	1
16	Hex. Bolt M8 \times 60	1
17	Bearings 608	2
18	Tension Roller	1
19	Flat Washers $\Phi 8$	4
20	Lock Nuts M8	8
21	Tension Roller Bushing	1
22	Hex. Socket Button Screw M8 \times 30	1
23	Limit Plate	1
24	Rubber Bolt M8	1
25	Nut M8	1
26	Beaing Cap	2
27	V-Belt	1
28	Up Cover	1
29	Pipe	1
30	Pusher Cage	1
31	Tray spacer Bushings	4
32	Spring Washers $\Phi 8$	3
33	Hex. Bolts M8 \times 20	3
34	Hex. Bolts M10 \times 20	6
35	Spring Washers $\Phi 10$	6
36	Flat Washers $\Phi 10$	9
37	Shoulder Bolt $\Phi 12$ -M10	1
38	Shoulder Bolt $\Phi 10$ -M8	2
39	Lock Thin Nut M10	1

No.	Description	QTV.
40	Hex. Bolts M8 \times 60	2
41	Hex. Bolts M6 \times 20	8
42	Spring Washers $\Phi 6$ \times 1.6	10
43	Hex. Bolts M6 \times 25	2
44	Hex. Bolts M6 \times 35	1
45	Lock Nuts M6	32
46	Hex. Bolt M8 \times 70	1
47	Hex. Bolt M6 \times 70	1
48	Crossed Discal Screws M4 \times 10	2
49	Spring Wahsers $\Phi 4$	2
50	Flat Washers 4 \times 0.8	2
51	Pusher	1
52	Spring Bracket	1
53	Rack	1
54	Rack Spring	1
55	Bearings 6200-2RZ	8
56	Bearings 608	2
57	Hex. Socket Button Screw M8 \times 40	1
58	Flat Washers $\Phi 10$	12
59	Shoulder Bolt $\Phi 6$ -M5	1
60	Flat Washers $\Phi 6$	2
61	Lock Nut M5	1
62	Shoulder Bolt $\Phi 10$ \times 45	1
63	Lock Nuts M8	2
64	Shoulder Bolt $\Phi 10$ \times 65-M8	1
65	Shoulder Bolt $\Phi 10$ -M8	2
66	Pusher Back Plate	1
67	Pusher Square Steel	1
68	Spring Pins $\Phi 10$ \times 50	2
69	Hex. Bolts M10 \times 55	2
70	Plate Spacer	1
71	Tension Spring	1
72	Cam Bush	1
73	Cam Roller	1
74	Cam1 V5	1
75	CSK Bolt M10	1
76	Cam Lever V4	1
77	Lever Handle Tube	1
78	Hand Grip	1



No.	Description	QTV.
79	Cam Link Arm	2
80	CSK M8	1
81	Shoulder Bolt $\Phi 8$ -M6	1
82	Socket Head Cap Bolt M6x30	1
83	Cam Spacer	1
84	Flat washers $\Phi 8$	2
85	Bracket-A	1
86	Bracket-B	1
87	Bracket-C	1
88	Square Tube-A	1
89	Square Tube-B	2
90	Square Tube-C	1
91	Wheels	2
92	Fixed Plate	2
93	Universal Wheels	2
94	Socket Head Cap Bolt M8x40	8
95	Socket Head Cap Bolt M8x16	1
96	Lock Nuts M8	8
97	Pins $\Phi 2.5 \times 20$	2
98	Motor Key	1
99	Motor	1
100	Socket Head Cap Bolt M6x16	3
101	Spring Washers $\Phi 6$	4
102	Socket Head Cap Bolt M6x25	1
103	Tension Spring Bracket	1
104	Tension Spring Bracket Spacer	1
105	Belt Wheel	1
106	Hex. Socket Set Screw M6x8	1
107	Tray	1
108	Tray Bracket-VTB-03	1
109	Tray Bracket-VTB-02	1
110	Socket Head Cap Bolt M6x40	4
111	Spring Washer $\Phi 6$	4
112	Flat Washers M6	60
113	Socket Head Cap Bolt M6x16	4
114	Cage-06	1
115	Cage-01	1
116	Cage-02	1
117	Cage-03	1

No.	Description	QTV.
118	Cage-04	1
119	Cage-05	1
120	Hex. Socket Button Screw M6	24



WWW.FOREST-MASTER.COM

Warranty

This product carries a limited parts warranty for 1 year from the date of purchase. Please keep your proof of purchase as this will be required for any claim.

Should this product become defective, contact the store where it was purchased and either replacement parts will be issued, it will be repaired or it will be replaced free of charge.

IMPORTANT: NO RESPONSIBILITY IS ACCEPTED FOR INCORRECT USE OF THIS PRODUCT.

THIS WARRANTY DOES NOT COVER:

1. Any part that has become inoperative due to misuse, abuse, neglect, accident, improper maintenance, or alteration; or
2. The unit, if it has not been operated and/or maintained in accordance with the owner's manual; or
3. Normal wear;
4. Routine maintenance items such as lubricants, blade sharpening;
5. Normal deterioration of the exterior finish due to use or exposure.

TRANSPORTATION CHARGES:

Transportation charges for the movement of any power equipment unit or attachment are the responsibility of the purchaser. The purchaser must pay transportation charges for any part submitted for replacement under this warranty unless such return is requested by Forest Master.



WWW.FOREST-MASTER.COM

NOTE: It is our policy to continually improve products and as such we reserve the right to alter data, specifications and component parts without prior notice.

Manufactured under license for Forest Master Limited.

Registered Office:

Forest Master Ltd, Industry Road, Heaton, Newcastle Upon Tyne, NE6 5XB, United Kingdom.

Tel: +44 191 2966939

email: info@forest-master.com - web: www.forest-master.com