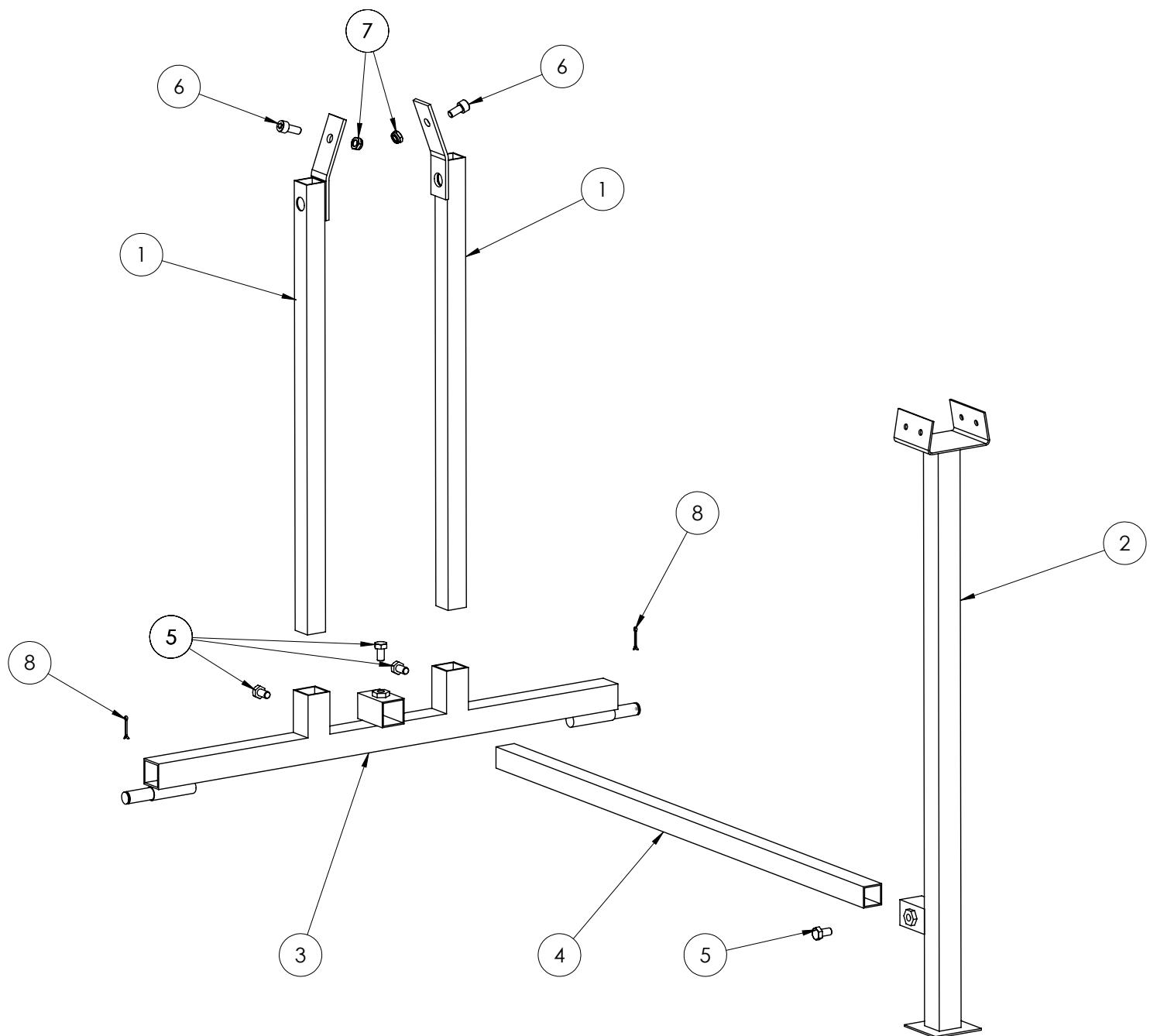




# FM5, FM8 & FM10 LOG SPLITTER STAND ASSEMBLY

## The stand package contains

- 2 x Rear Legs (1)
- 1 x Front Leg (2)
- 1 x Rear Axle Bar (3)
- 1 x Longitudinal Support Bar (4)
- 4 x M8 x 15 Bolts (5)
- 2 x M8 x 20 Allen Head Bolts (6)
- 2 x M8 Nuts (7)
- 2 x Split Pins (8)





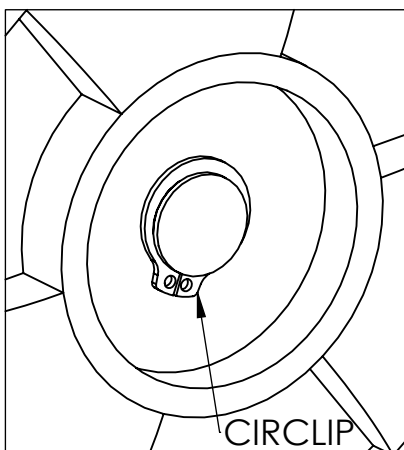
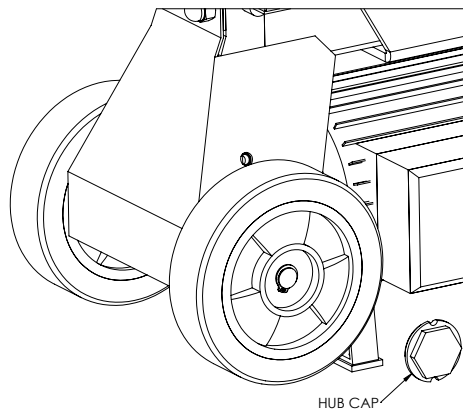
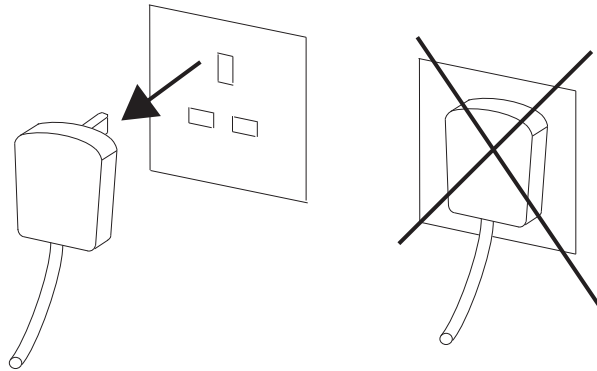
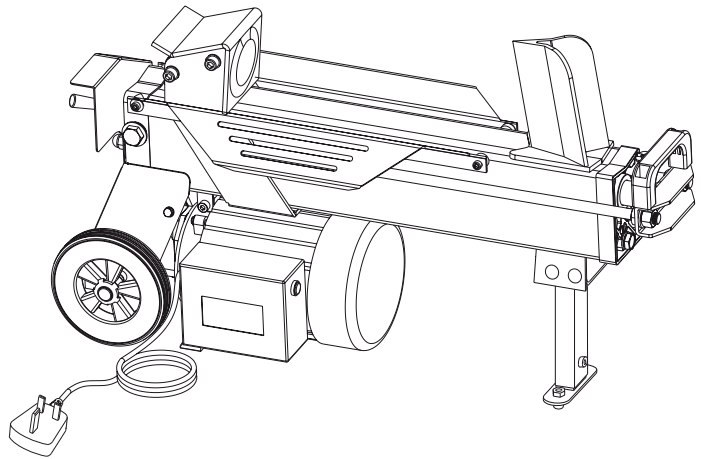
## FM5, FM8 & FM10 LOG SPLITTER STAND ASSEMBLY

1. Before starting assembly, ensure the log splitter is disconnected from the power supply.

Ensure the bleed screw on the log splitter is closed.

If you have someone to assist you in turning the log splitter over then it may be easier to attach the stand to the log splitter with the splitter upside down.

Alternatively you can prop the log splitter vertically against a wall, with the motor end at the bottom. Then when assembled it can be lowered to the ground with the wheels acting as a pivot.



2. Remove the rear wheels from the log splitter.

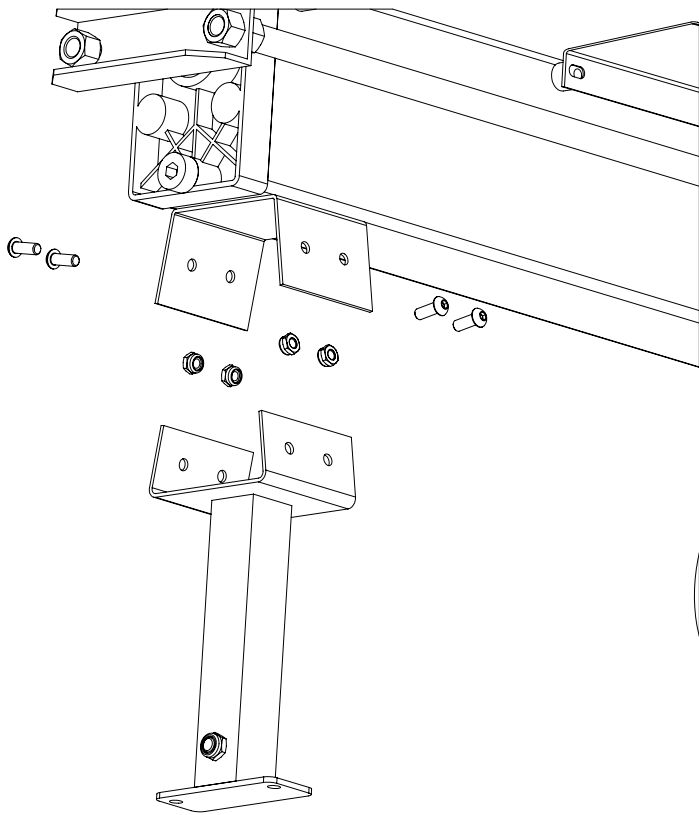
Pry the hubcaps off with a flat bladed screwdriver. They are push on not screw on.

Remove the retaining circlip from the groove using either a pair of circlip pliers or a small flat bladed electricians screwdriver. If using a screwdriver, insert it into a gap between the circlip and axle, lever one end off then the other. Retain the circlips for attaching the wheels to the stand.

Remove the wheels.



## FM5, FM8 & FM10 LOG SPLITTER STAND ASSEMBLY



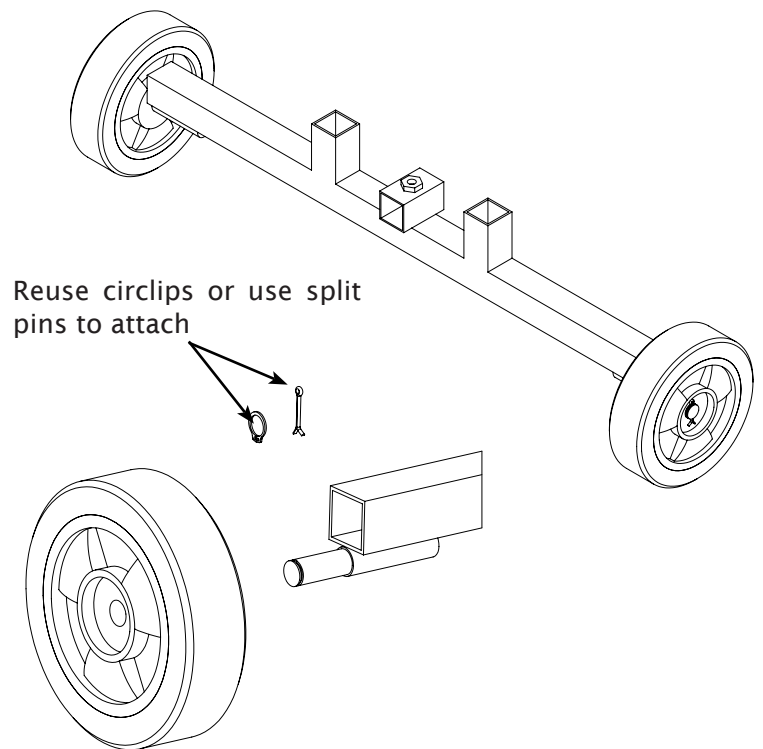
3. Remove the 4 bolts and nuts holding the front leg to the body and remove the front foot assembly from the log splitter. Keep the nuts and bolts as they will be used to attach the stand front leg.

Keep the front leg in case at any time you wish to remove the splitter from the stand and use it at ground level.

NOTE: The FM5 and FM8 have a different front leg to that shown.

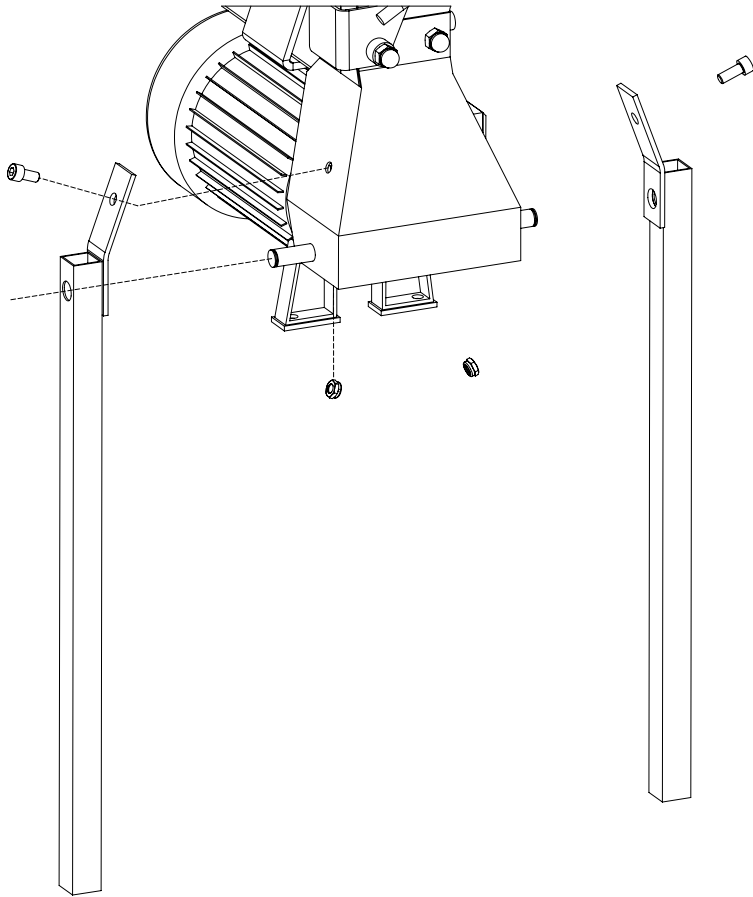
4. Attach the rear wheels you have removed from the splitter, to the rear axle bar(3). To secure the wheels, you can either reuse the circlips or use the additional split pins supplied.

Refit the hubcaps, these just push on.



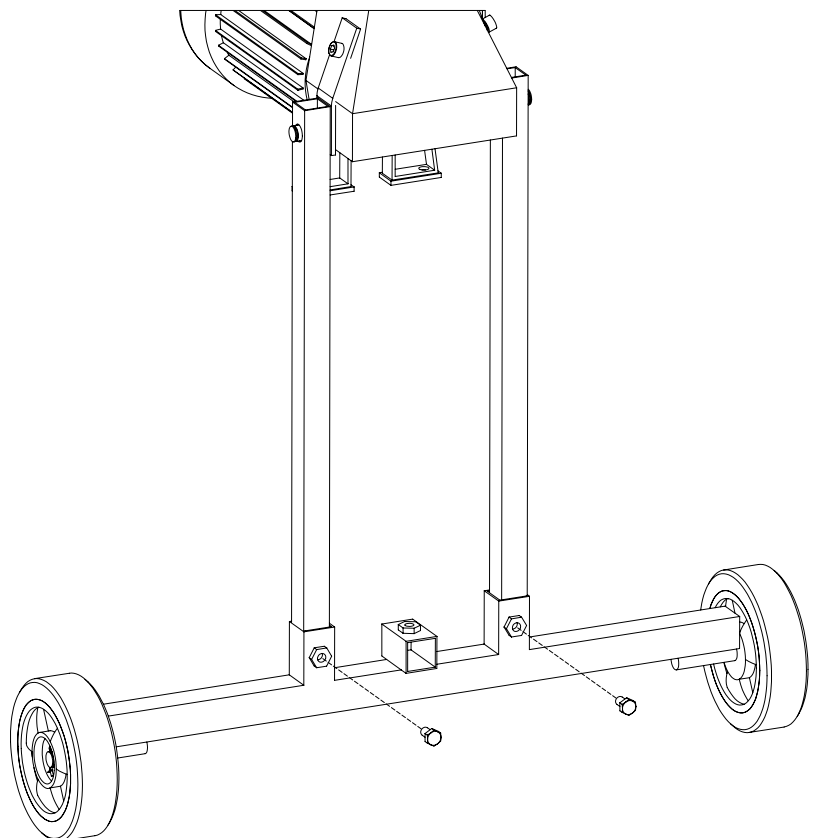


## FM5, FM8 & FM10 LOG SPLITTER STAND ASSEMBLY



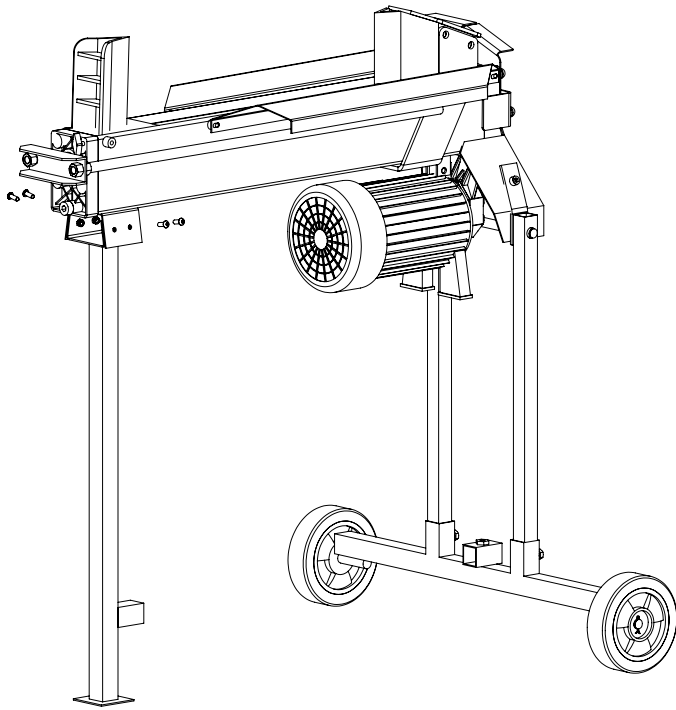
5. Attach the rear legs(1) to the wheel carriage of the log splitter. The axles of the carriage go through the large holes in the legs. Secure them to the sides of the wheel frame using the 2 M8x20 cap head bolts(6) and two M8 nuts(7). Insert the bolts through the hole in the leg flange and the hole in the side of the wheel carriage. The nuts go inside the wheel carriage.

6. Attach the rear axle bar and wheel assembly to the rear legs using 2 of the M8 x 15 bolts(5). Note that there are no holes in the rear legs for the bolts. The bolts tighten up against the legs.





## FM5, FM8 & FM10 LOG SPLITTER STAND ASSEMBLY



7. Attach the stand front leg(2) to the log splitter using the 4 bolts and 4 nuts that were removed from the short front leg in step 3.

8. Attach the longitudinal beam(4) to the front leg and the assembled wheel cross beam, using the remaining 2 of the M8x15 bolts(5). Note that the bolts tighten against the longitudinal beam, there are no holes in it.

Note that the stand is designed to fit the FM5, FM8 & FM10 log splitters, therefore the longitudinal beam will protrude out the rear of the wheel cross beam. For the FM5 & FM8, the longitudinal beam can be cut in length to shorten it if desired. For the FM8 it can be cut to 600mm and for the FM5 530mm. A standard hacksaw should be used if cutting the beam.

The log splitter can now be rotated to the upright position from the position in which the stand has been assembled. Depending on which splitter you have, this may require two persons.

